

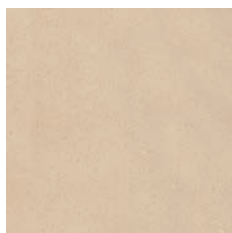
KERLITE BUXY

Conforme / In compliance with / Conforme / Gemäß: ISO 13006-G, EN 14411-G, ANSI 137.1

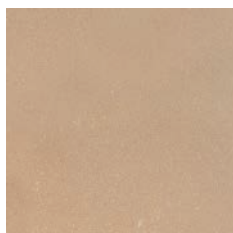
Bla UGL Porcellanato Ceramico Ultrasottile - Ultra thin Porcelain Stoneware
Grès Cérame ultrafin - Extra-Dünnes Keramiksteinzeug



CORAIL BLANC



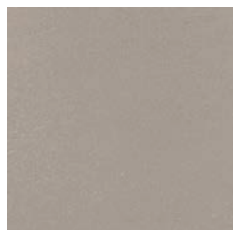
AMANDE



CAMEL



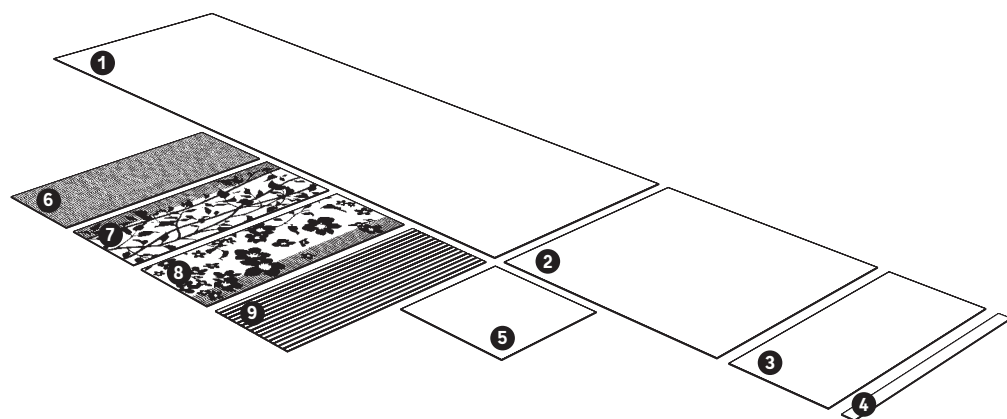
NOISETTE



PERLE



CENDRE



KERLITE 3MM

- | | | | |
|------------------------------------|--------------------------------------|--------------------------------------|-----------------------------------------------------------------------------------------------------------------|
| ① 300x100 cm | ② 100x100 cm | ③ 100x40 cm | ④ 100x4,9 cm |
| ⑥ Decoro Trilogy LINE
100x40 cm | ⑦ Decoro Trilogy GARDEN
100x40 cm | ⑧ Decoro Trilogy FLOWER
100x40 cm | ⑨ Pezzo speciale STRIPES - Special piece STRIPES
Piece speciale STRIPES - Spezialstücke STRIPES
100x40 cm |

KERLITE PLUS

- | | | |
|--------------|--------------|------------|
| ① 300x100 cm | ② 100x100 cm | ⑤ 50x50 cm |
|--------------|--------------|------------|

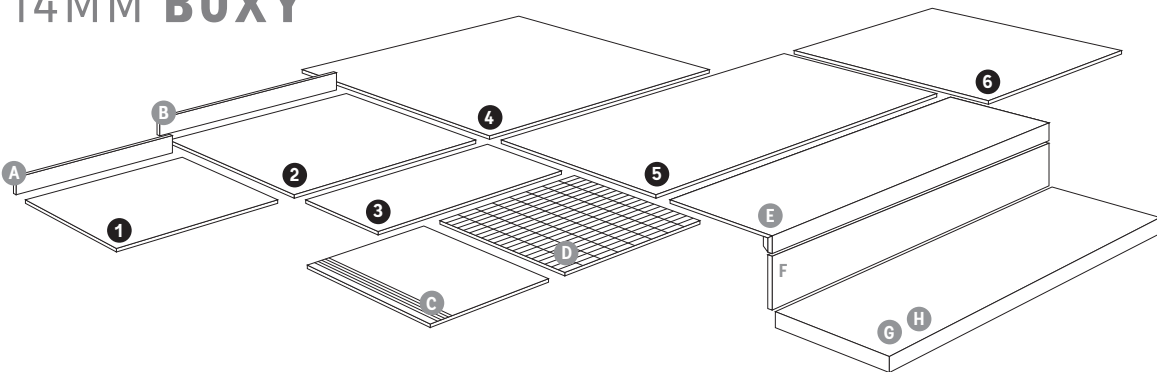
SCHEDA TECNICA / TECHNICAL DATA SHEET / FICHE TECHNIQUE / TECHNISCHE DATENBLATT

p.133

SUGGERIMENTI PER LA POSA / LAYING SUGGESTIONS / CONSEILS POUR LA POSE / EMPFEHLUNGEN FÜR DAS VERLEGEN

p.112

14MM BUXY



MATTONELLE / FLOOR TILES / CARREAUX / FLIESEN

- | | | | | | |
|----------------|----------------|----------------|--------------------------------------------------|---------------------------------------------|----------------------------------------|
| ① 44,2x44,2 cm | ② 59,4x59,4 cm | ③ 29,6x59,4 cm | ④ 89,5x89,5 cm | ⑤ 59,4x119 cm | ⑥ 74,8x74,8 cm |
| | | | Corail Blanc, Amande, Noisette,
Perle, Cendre | Amande, Caramel, Noisette,
Perle, Cendre | Corail Blanc, Amande,
Perle, Cendre |

PEZZI SPECIALI / SPECIAL PIECES / PIÈCES SPECIALES / SPEZIALSTÜCKE

- | | | | | |
|---------------------------------------------------------------------------------------------|-------------------------------------------------------------------------------------------------------|----------------------------------------------------------------------------------------------------------------------------------------------------------------------------------------------------------------------------------------------------------------------------------------------------------------------------------------------------------------------------------------------------------------------------------------------------------|-------------------------------------------------------------------------------------------------------------------------------------------------------------------------------------------------------------------------------------------------------------|------------------------------------------------------------------------------------------------------------------------------|
| A Battiscopa - Skirting tiles
Plinthe - Sockelleiste
7,2x44,2x1,4 cm
Cendre | C Gradino bordo - Thin step tread
Plat de marche - Stufenplatte
34x44,2x1,4 cm
Cendre | E Gradino PLUS / Thin step tread PLUS
Plat de marche PLUS / Stufenplatte PLUS
34x119x4,5/1,4 cm
Amande Nat Rett, Noisette Nat Rett
Perle Nat Rett, Cendre Nat Rett
<i>La confezione comprende l'Algata (F), 17x119x1,4 cm</i>
<i>The packaging includes the Rider (F), 17x119x1,4 cm</i>
<i>La boîte inclue le contre marche aussi (F), 17x119x1,4 cm</i>
<i>Die Verpackung enthält auch den Stoss (F), 17x119x1,4 cm</i> | G H Gradino PLUS destro/sinistro
Right/Left thin step tread PLUS
Plat de marche PLUS angle droite/gauche
Stufenplatte PLUS rechts/links
34x119x4,5/1,4 cm
Amande Nat Rett,
Noisette Nat Rett
Perle Nat Rett,
Cendre Nat Rett | D Mosaico preincisa
Engraved
Mosaico Precoupé
Eingeschnittene Mosaikfliese
44,2x44,2x1,4 cm
Cendre Lux |
|---------------------------------------------------------------------------------------------|-------------------------------------------------------------------------------------------------------|----------------------------------------------------------------------------------------------------------------------------------------------------------------------------------------------------------------------------------------------------------------------------------------------------------------------------------------------------------------------------------------------------------------------------------------------------------|-------------------------------------------------------------------------------------------------------------------------------------------------------------------------------------------------------------------------------------------------------------|------------------------------------------------------------------------------------------------------------------------------|